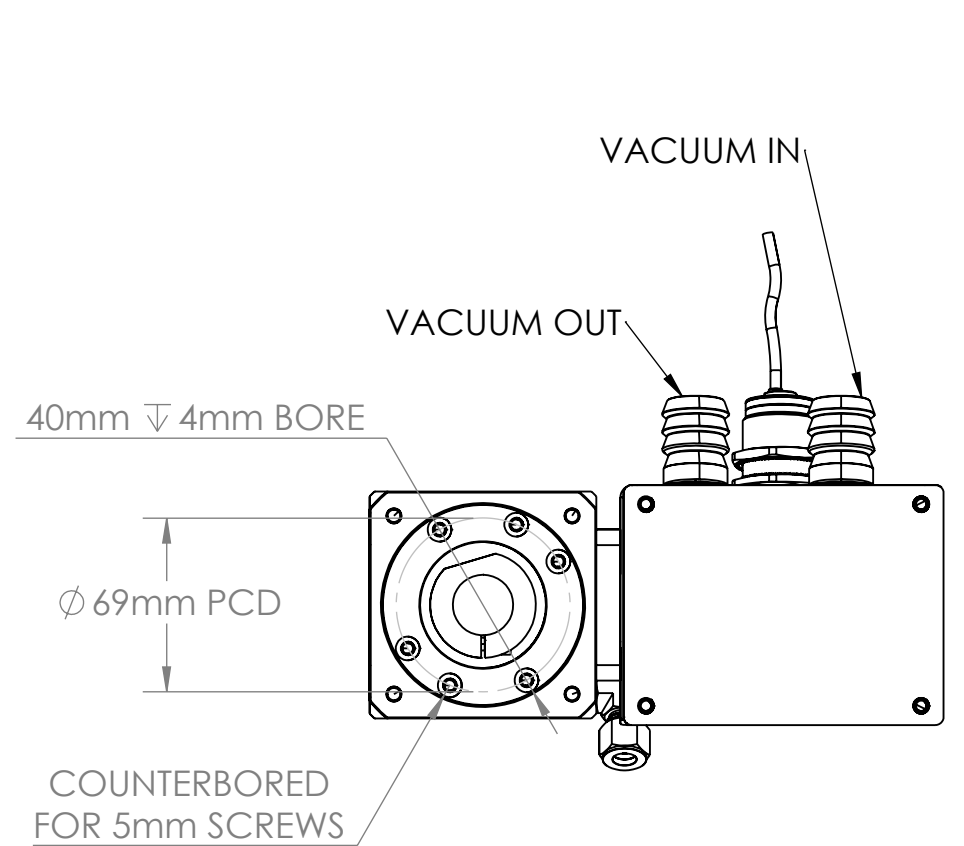
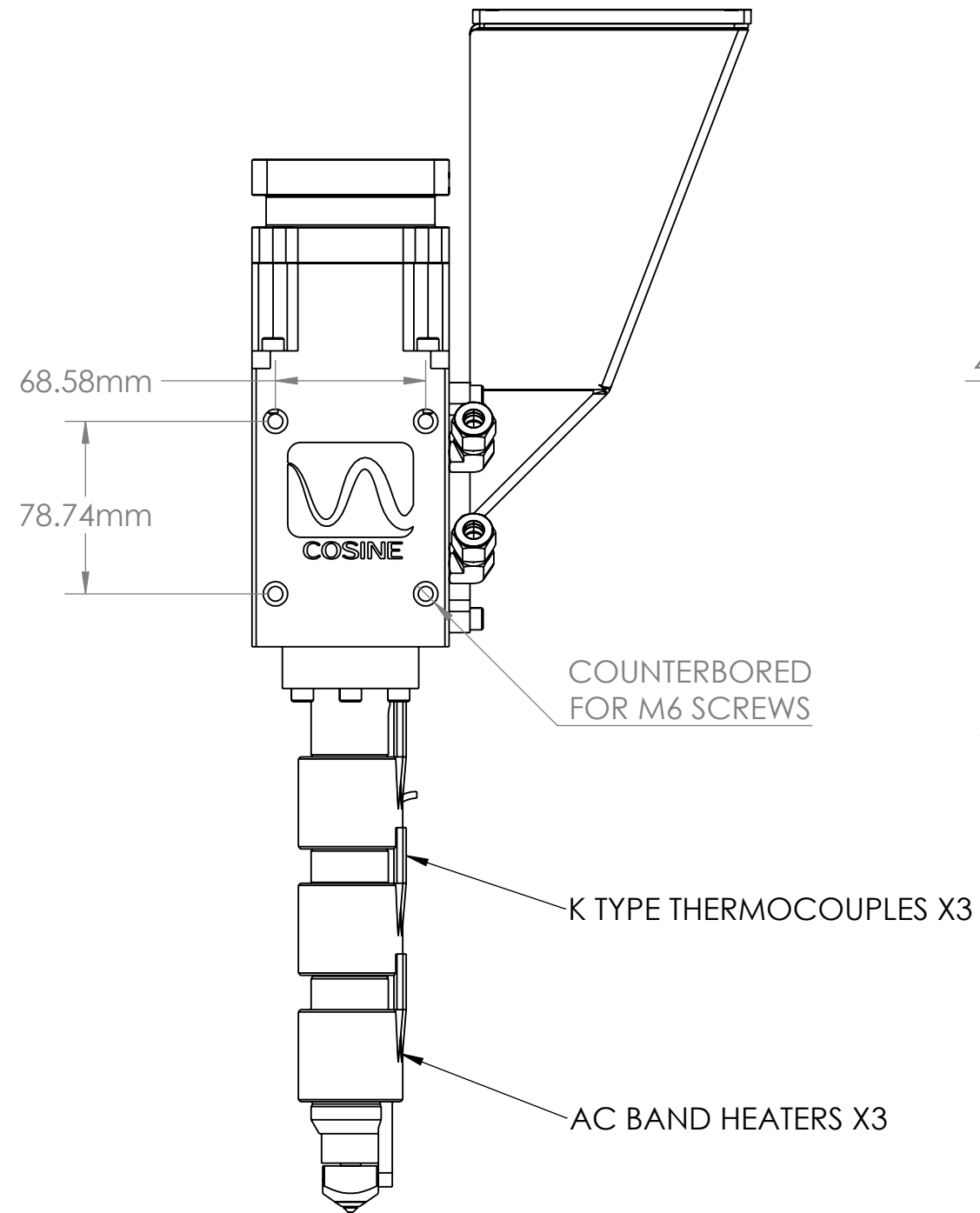
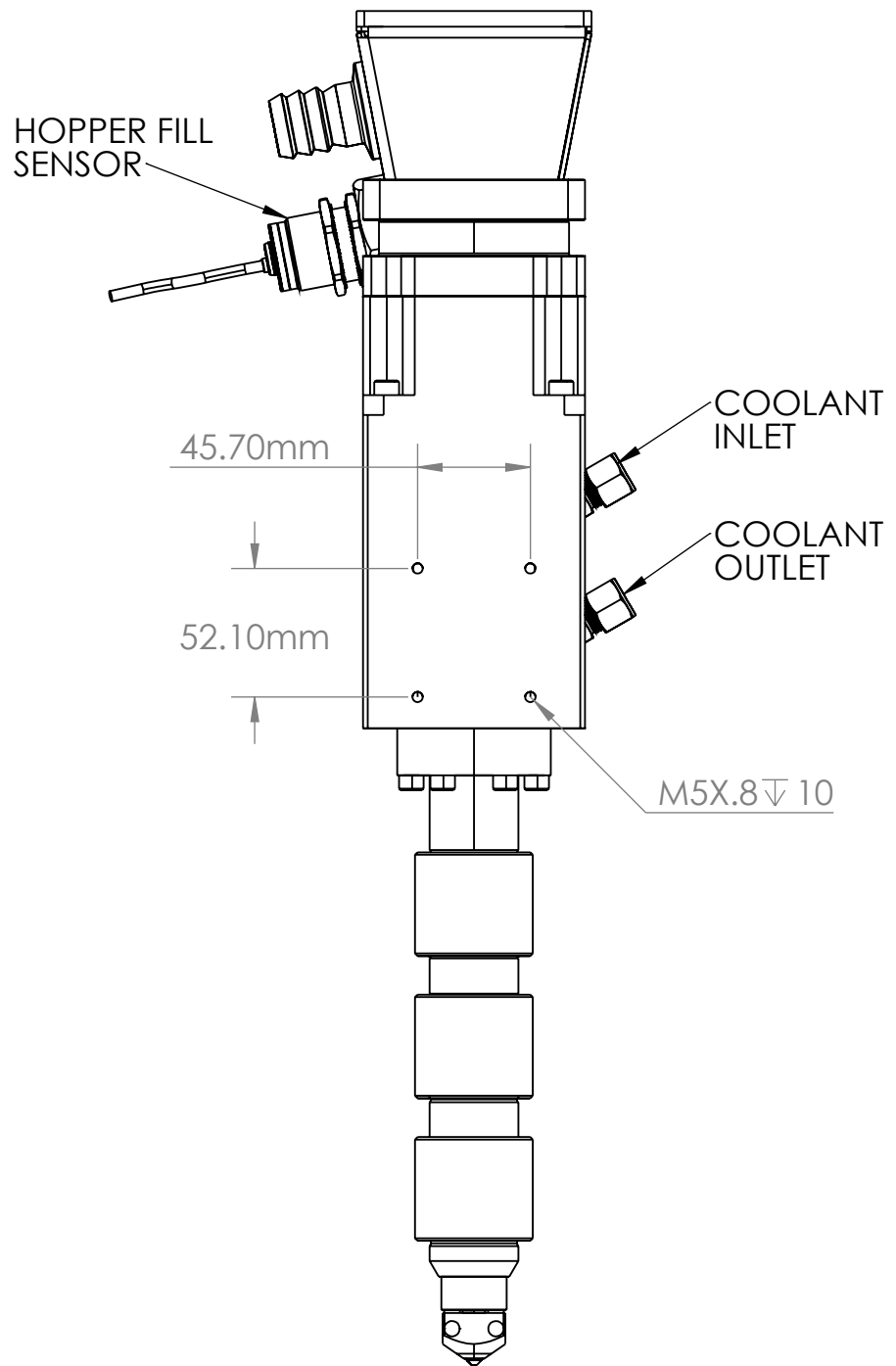


8 7 6 5 4 3 2 1

E D C B A



**Mass = 32 pounds**



THIS DOCUMENT CONTAINS CONFIDENTIAL AND PROPRIETARY INFORMATION THAT CANNOT BE REPRODUCED OR DIVULGED, IN WHOLE OR IN PART, WITHOUT WRITTEN AUTHORIZATION FROM COSINE ADDITIVE INC.

UNLESS SPECIFIED, DIMENSIONS ARE IN INCHES.  
 TOLERANCES:  
 FRACT  $\pm$  1/32  
 ANGLE  $\pm$  1/2 DEG  
 X  $\pm$  0.03  
 XX  $\pm$  0.01  
 XXX  $\pm$  0.005  
 XXXX  $\pm$  0.0005

THIRD ANGLE PROJECTION

DESIGNED	GW	12/04/15
APPROVED	GW	-
MATERIAL		
WEIGHT Mass = 32 pounds		
FINISH BREAK SHARP EDGES		

TITLE: <b>PELLET EXTRUDER WITH STRAIGHT GEARBOX AND NO MOTOR</b>	
DESCRIPTION:	
DRAWING NUMBER: <b>DEFAULT</b>	REV <b>XXXX</b>
SCALE: <b>N/A</b>	SHEET <b>1 OF 1</b>

8 7 6 5 4 3 2 1